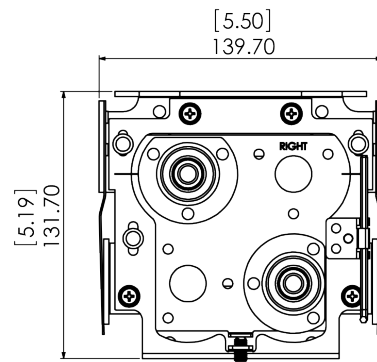
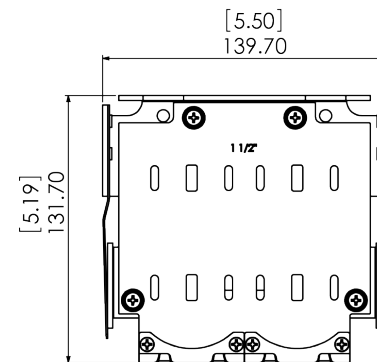


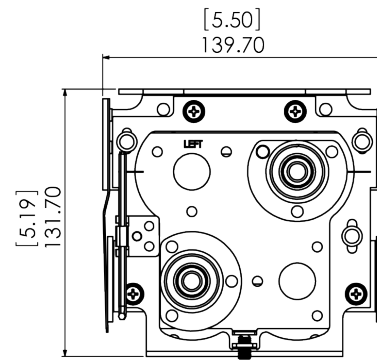
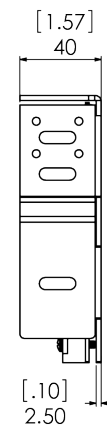
XL - Dual clutch and bracket



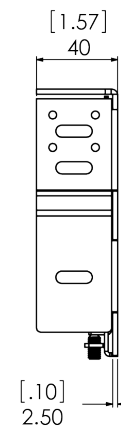
XL - Dual right idle bracket



XL - Dual clutch bracket



XL - Dual left idle bracket



175 Humboldt Street, Suite 222
 Rochester, NY 14610 toll free: 844-737-2533
 blueshade.us.com draperyindustries.com

©2015 Drapery Industries, Inc. All rights reserved.
 All trademarks herein are owned by Drapery Industries, Inc.
 No part of this document may be reproduced or otherwise
 used without the written consent of Drapery Industries, Inc.

Architectural - XL 5.5" Manual Dual Shade Bracket System

PROJECT:

VIEW:
Detail

DATE:

2/12/2015

SCALE:

N/A

DWG NO.

ARC-XL55-BRKTs-DL