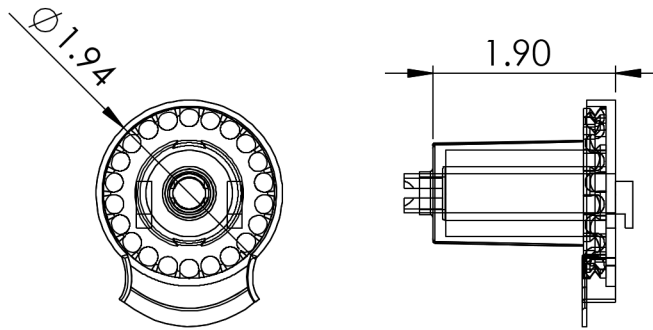
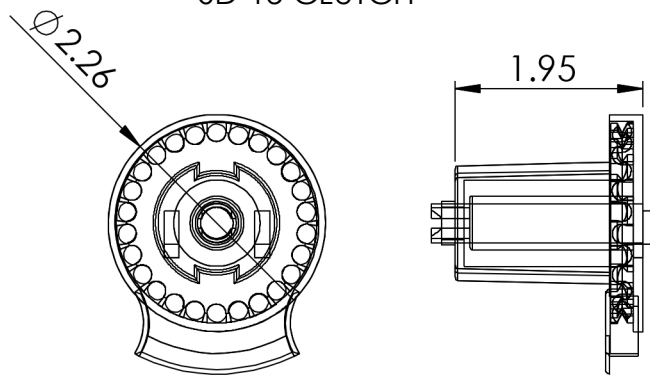


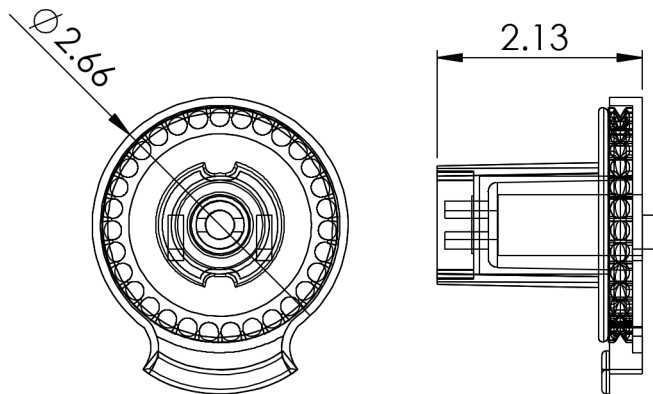
SD-10 CLUTCH



SD-15 CLUTCH



SD GALAXY CLUTCH



**blushade**   
by Drapery Industries

175 Humboldt Street, Suite 222  
Rochester, NY 14610 toll free: 844-737-2533  
blushade.us.com draperyindustries.com

©2015 Drapery Industries, Inc. All rights reserved.  
All trademarks herein are owned by Drapery Industries, Inc.  
No part of this document may be reproduced or otherwise  
used without the written consent of Drapery Industries, Inc.

Manual SD - Clutches

PROJECT:		VIEW: Side	
DATE: 2/12/2015	SCALE: NTS	DWG NO. SD-CLUTs	