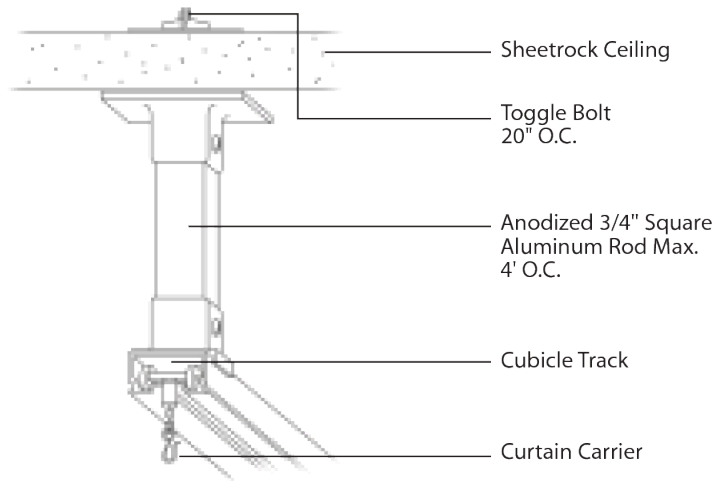
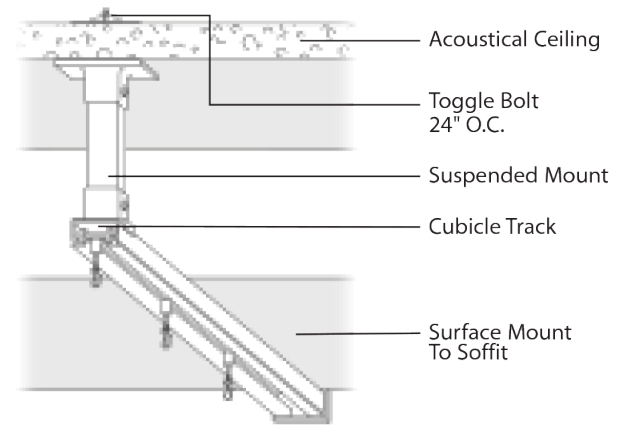


Standard Suspended



Soffit (2 Ceiling Heights)



SnapCubicleTM
by Drapery Industries

175 Humboldt Street, Suite 222
Rochester, NY 14610 toll free: 844-737-2533
blushade.us.com draperyindustries.com

©2014 Drapery Industries, Inc. All rights reserved.
All trademarks herein are owned by Drapery Industries, Inc.

Cubicle Track - Suspended With Flange System

PROJECT:

DATE:

7/29/2014

SCALE:

N/A

DWG NO.