

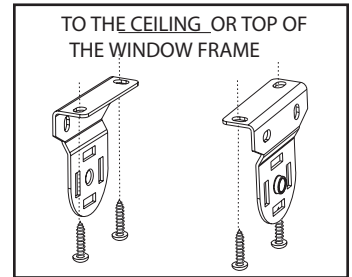
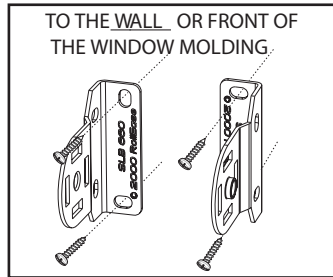
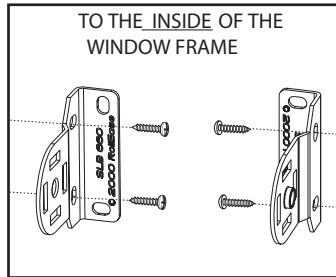
Installation Instructions - Blueshade SD Roller Shade

1. MOUNT THE BRACKETS.

Attach the brackets to the window frame, window molding, wall or ceiling, as shown.

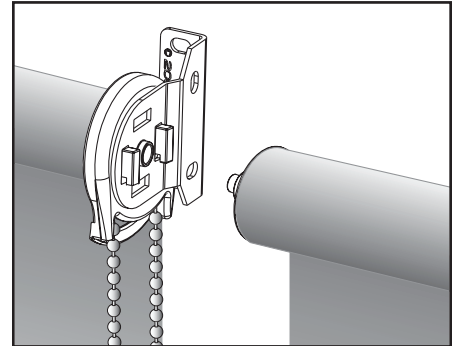
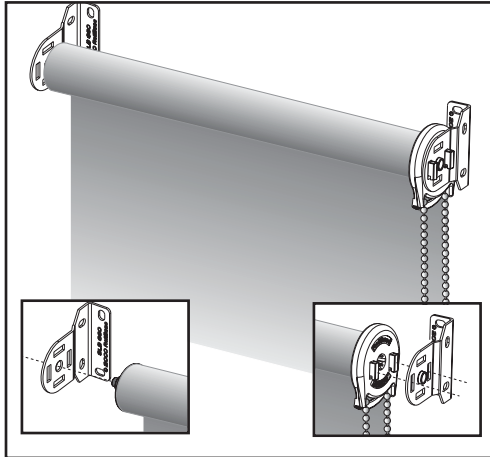
Brackets are universal so clutch may be mounted on either side.

Note: If sharing a bracket between two shades, bracket can only be shared by a clutch and a pin end, not clutch-to-clutch or pin end-to-pin end.



2. INSTALL THE SHADE.

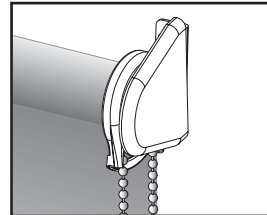
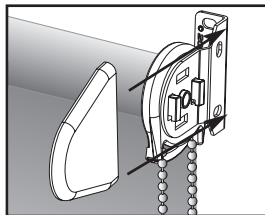
- a. Put the spring loaded pin into the round hole of the bracket.
- b. Keeping the pin end secured in it's bracket, insert the hook arms on the clutch straight into the two hook arm receiver holes of the bracket. Once the two hook arms are through the holes, gently pull down on the clutch until the two hook arms have locked securely to the bracket. The bottom of the clutch should always point straight down.



Note: If sharing a bracket between two shades, bracket can only be shared by a clutch and a pin end, not a clutch-to-clutch or pin-end to pin-end.

3. INSTALL (OPTIONAL) BRACKET COVERS

Bracket covers are slid over the bracket until snapped into position.

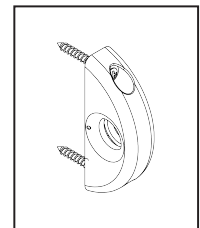


4. INSTALL (OPTIONAL) TENSION DEVICE



The Tension Device reduces the potential for damage to the chain and the hazards of strangulation and entanglement of young children by limiting access to the control chain. Anchor the Tension Device, to the window frame or wall, so that the chain cannot be pulled away from the wall.

- a. Lower the shade.
- b. Position the Tension Device on the window frame or the wall so that the Tension Device and control cord do not interfere with raising or lowering the shade. The Tension Device should be installed so that the control chain and ball stops and moves easily through the device.



5. USE THE CONTROL CORD OR BEAD CHAIN TO OPERATE THE SHADE.

Pulling gently on the cord in one direction raises the shade; pulling it in the other direction lowers it.

6. ATTACH STOPS TO A CONTROL CORD THAT'S MADE OF BEAD CHAIN.

On metal bead chain, attach a metal ball stop that is at least 5/16" in diameter, so that it touches the mouth of the clutch when the shade is in the all-rolled-up position.

Then lower the shade to sill or floor height, and attach the appropriate metal ball stop next to the clutch, this prevents the shade from being lowered beyond that point.